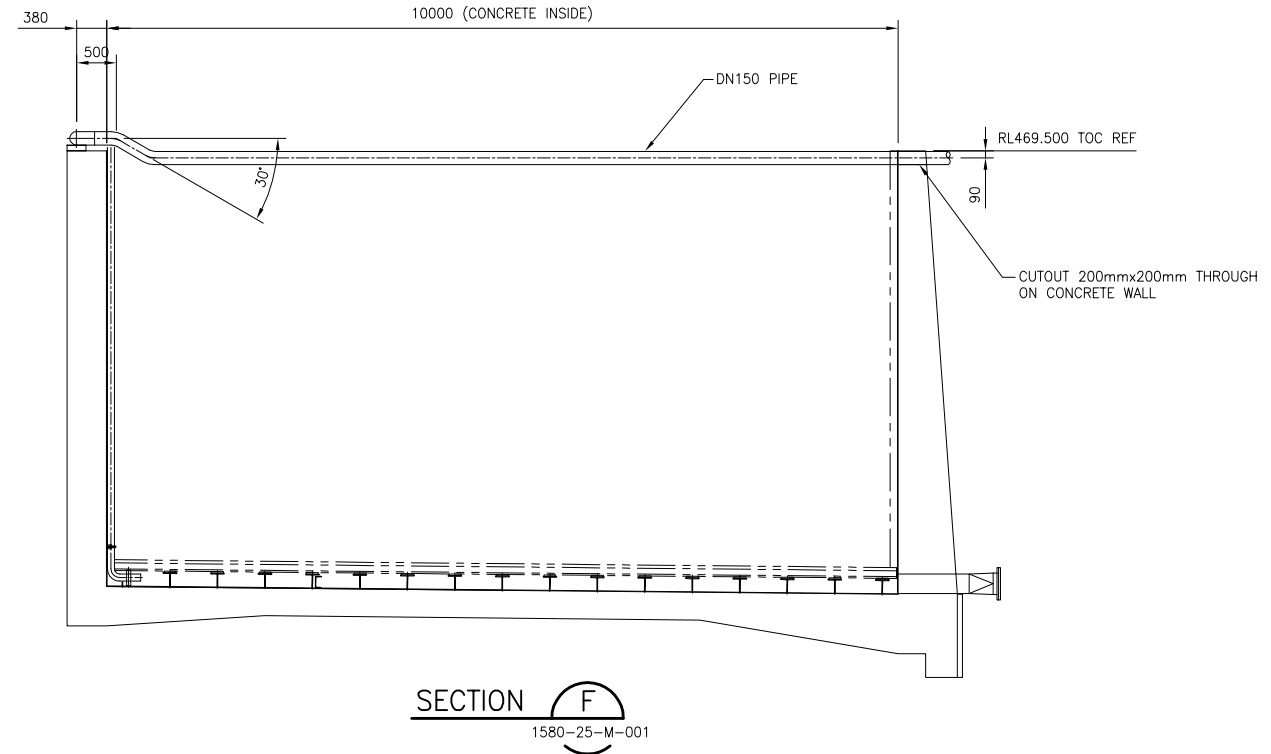
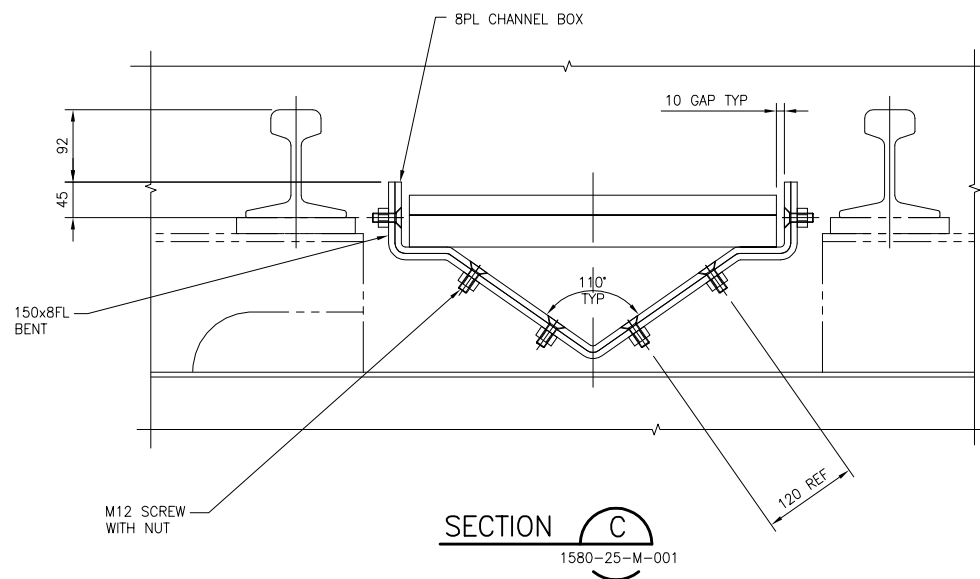
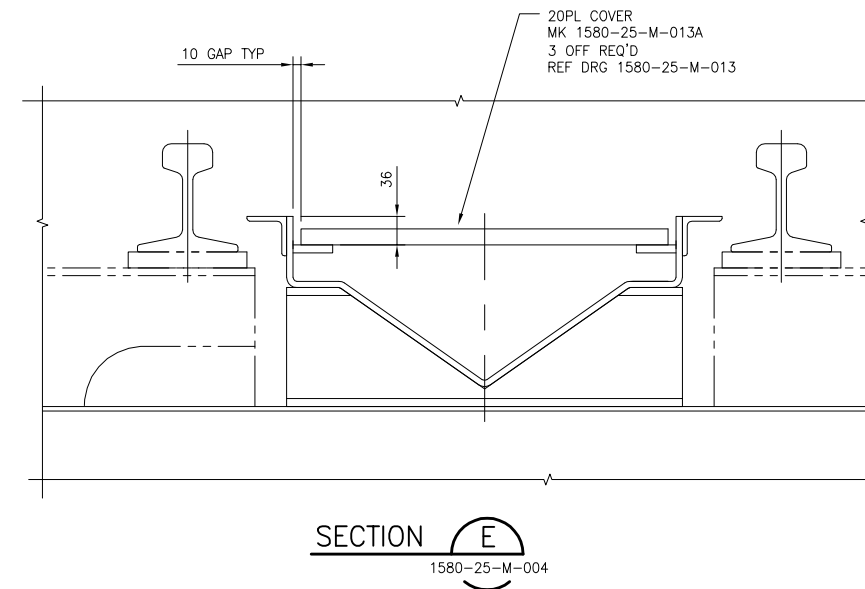
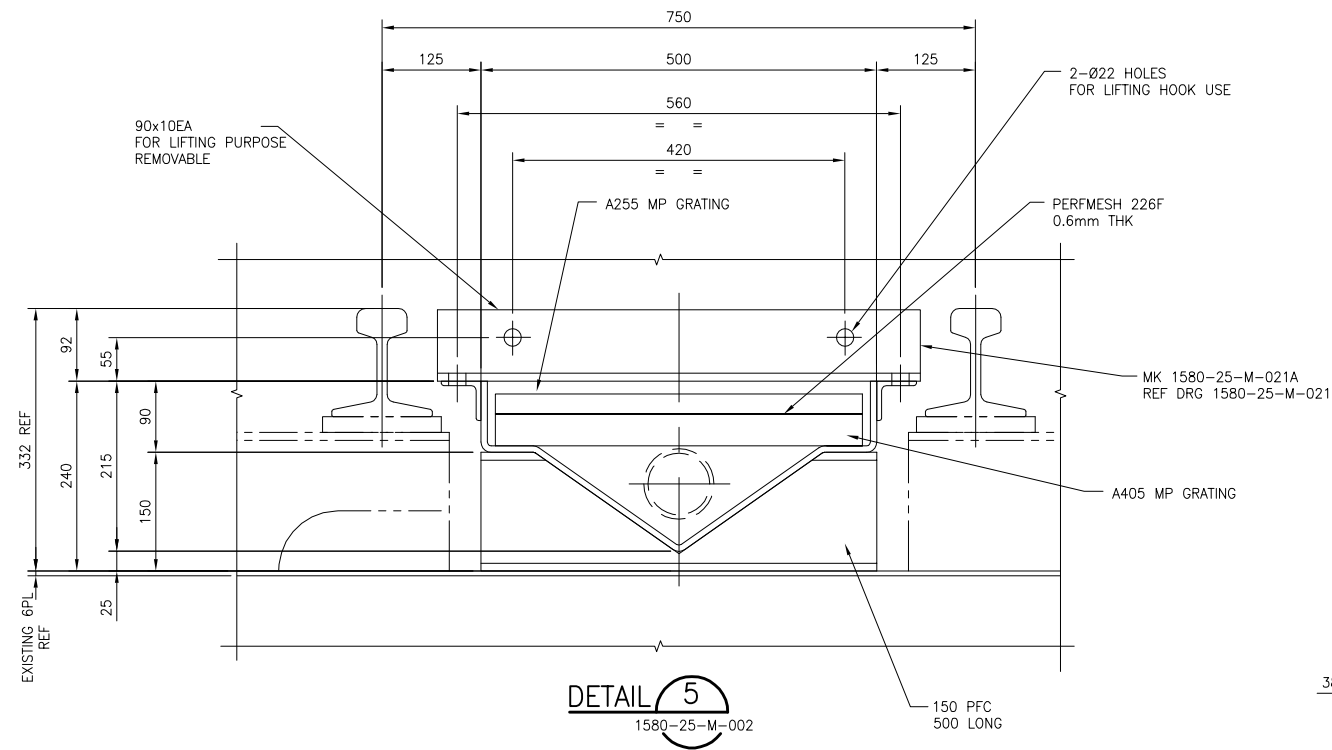


NOTE  
1. QTY'S SHOWN FOR 1 VAT ONLY.



ISSUED FOR CONSTRUCTION

1580-25-M-004	LEACH VAT CHANNEL BOX SECTIONS AND DETAILS
1580-25-M-002	LEACH VAT CHANNEL BOX SECTIONS AND DETAILS
1580-25-M-001	LEACH VAT CHANNEL BOX ARRGT
DRAWING NO	DESCRIPTION
REFERENCE DRAWINGS	



0	23.09.08	ISSUED FOR CONSTRUCTION	HGu	LMS	RM	
REV	DATE	REVISION DESCRIPTION	BY	CKD	ENG	APP
IN THE ABSENCE OF THE APPROVED SIGNATURE, THIS DRAWING SHALL BE TREATED AS PRELIMINARY						



Copyright ©  
This document is & shall remain the property of WAVE ENGINEERING. The document may only be used for the purpose for which it was commissioned & in accordance with the terms of engagement for the commission, i.e. as defined in 'WAVE ENGINEERING' standard terms & conditions'. Unauthorised use of this document in any way is prohibited.

DRN	HGu	DATE	13.08.08	CLIENT DRG NO	
CHKD		DATE		CLIENT	WINDIMURRA VANADIUM
ENG		DATE		TITLE	LEACHING LEACH VAT CHANNEL BOX GENERAL ARRANGEMENT SECTIONS AND DETAILS
APP		DATE		SCALE	1:5 UNO
AS1100-1992 ALL DIMENSIONS IN mm				DRAWING NO	1580-25-M-003
				REV	0